



GLASS CRUSHER

MODEL

318



- ▶ Rated capacity: 2 to 3 tons per hour
- ▶ Crushes up to and including one gallon bottles
- ▶ Processes full or partially filled containers
- ▶ Factory-direct parts and service

A medium to high volume glass crusher. Designed for stand alone use, in conjunction with a conveyor, or can be mounted below chutes in MRF applications. A small compact unit that will hold up to most anything you can throw at it. Backed by over 35 years of experience in the size reduction and recycling industry.



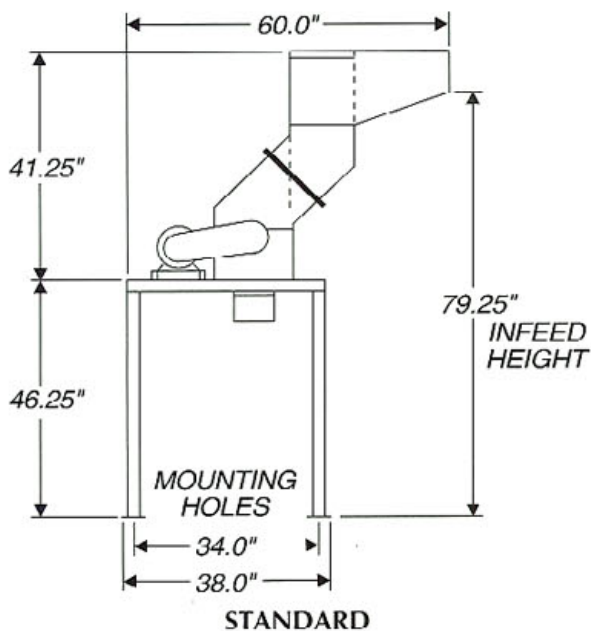
MODEL

318

SPECIFICATIONS

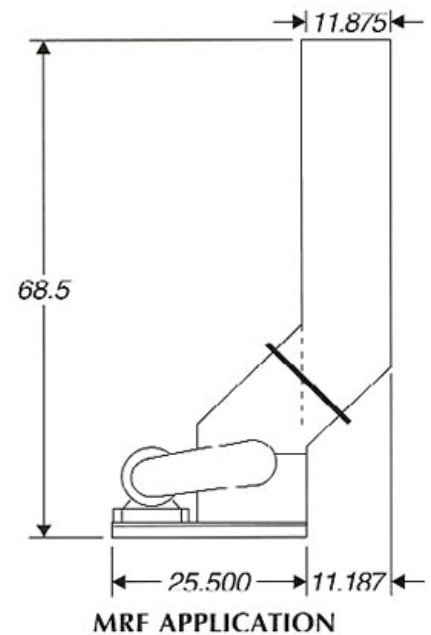
- ▶ Constructed of 1/4" steel plate
- ▶ Hardened replaceable crushing bars
- ▶ Hardened replaceable breaker plates
- ▶ 1 HP motor
- ▶ Replaceable urethane discharge shroud
- ▶ Casters optional
- ▶ 75 lbs./cu. ft. standard crushed particle size (smaller or larger particle size available upon request)
- ▶ 95-100 DBA noise level while crushing

DIMENSIONAL INFORMATION



OVERALL DIMENSIONS

Length: 60"
Width: 38"
Height: 87½"
Weight: 470 lbs.
(No skid)



1 Year Written Warranty

All Prodeva brand equipment carries a warranty on workmanship and materials, provided equipment is used for its intended use and maintained properly.

We reserve the right to repair or replace parts at our option. Ask for further details. Prodeva, Inc., also reserves the right to improve or alter products without prior notice.

PRODEVA PROFILE

PRODEVA, Inc., with over 35 years experience in the size reduction field, offers a complete line of crusher and shredder models for processing bottles, cans (aluminum or steel), plastic, glass and fluorescent tubes. Our equipment is used world-wide for recovery, recycling, scrap, and disposal facilities, both public and private. All are engineered and field-tested for profitable operations.